

**Milwaukee**

Nothing but **HEAVY DUTY.**



## **M12 JS**

---

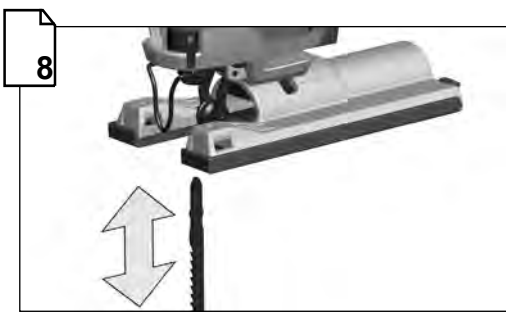
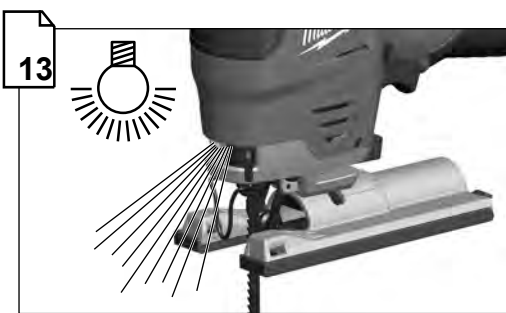
Original instructions



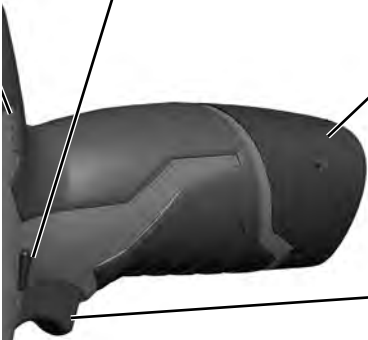
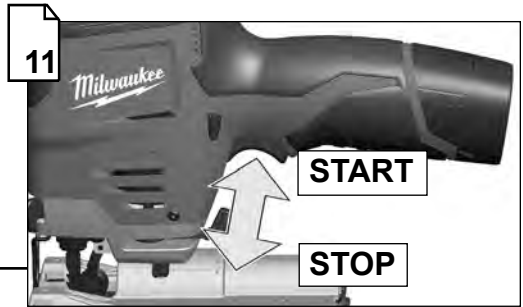
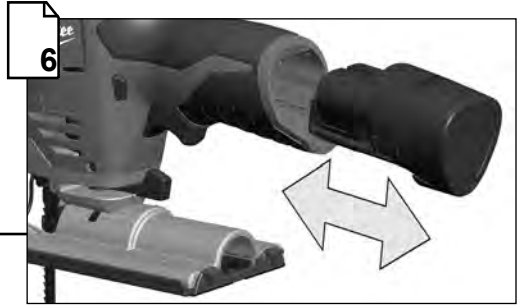
## **Important!**

It is essential that you read the instructions in this manual before operating this machine.

Subject to technical modifications.

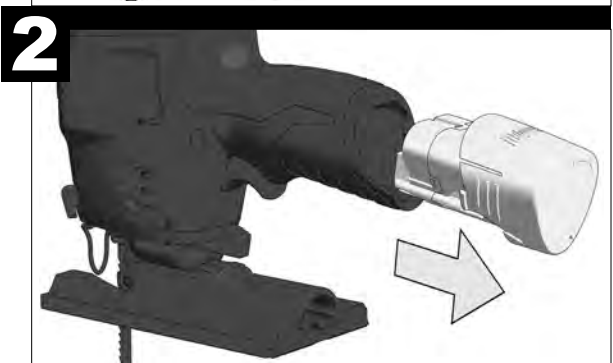
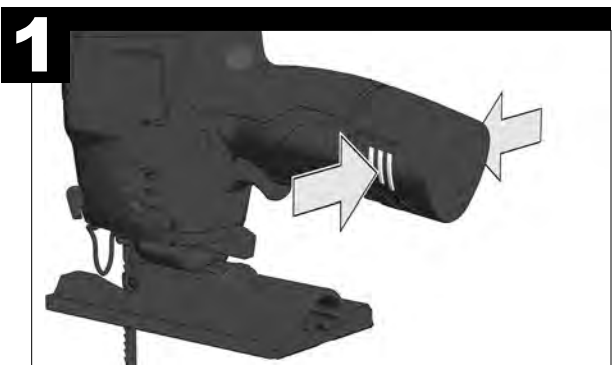
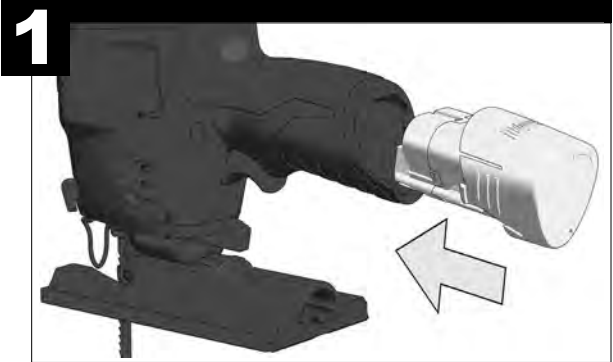


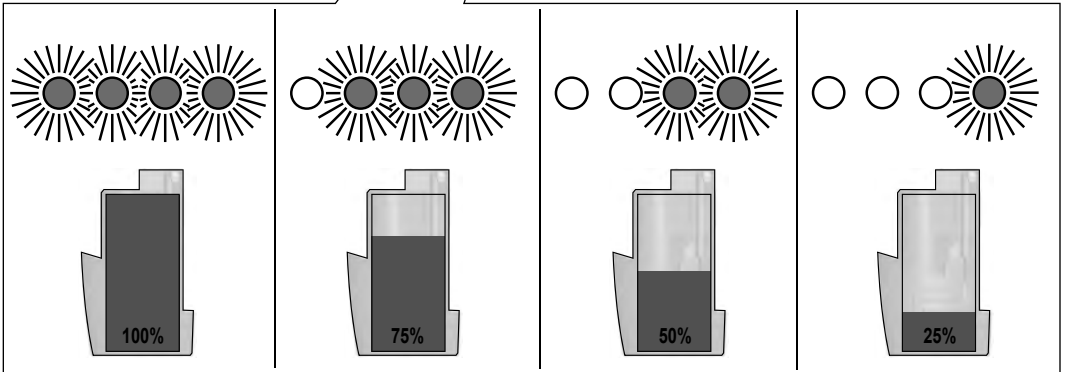
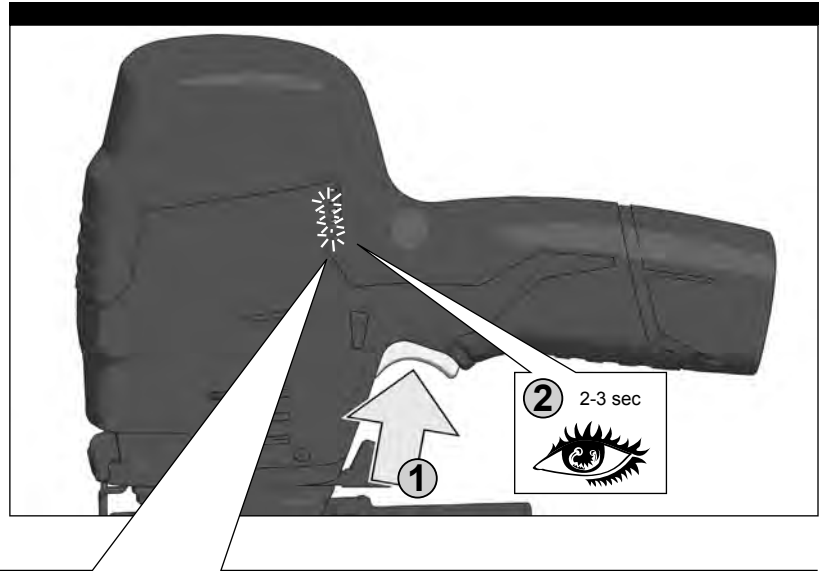
Remove the battery pack before starting any maintenance work on the tool.

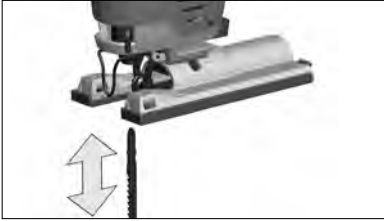




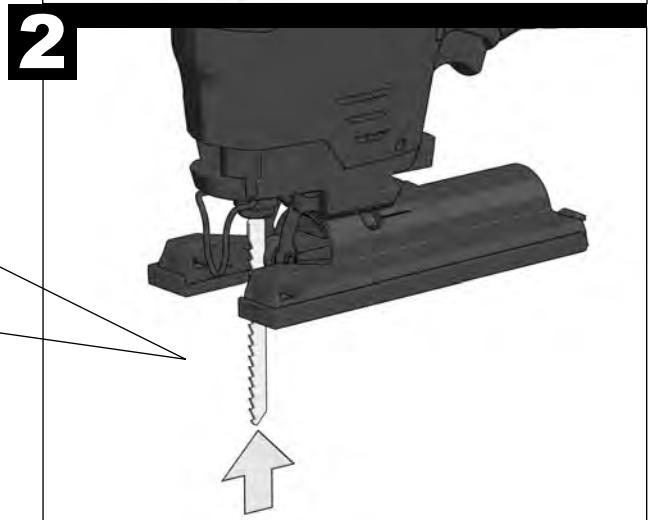
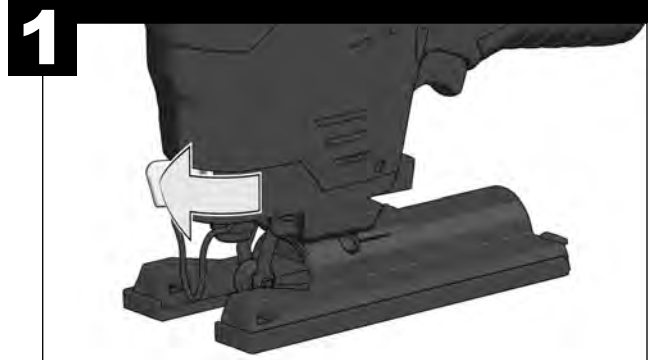
Remove the battery pack before starting any maintenance work on the tool.





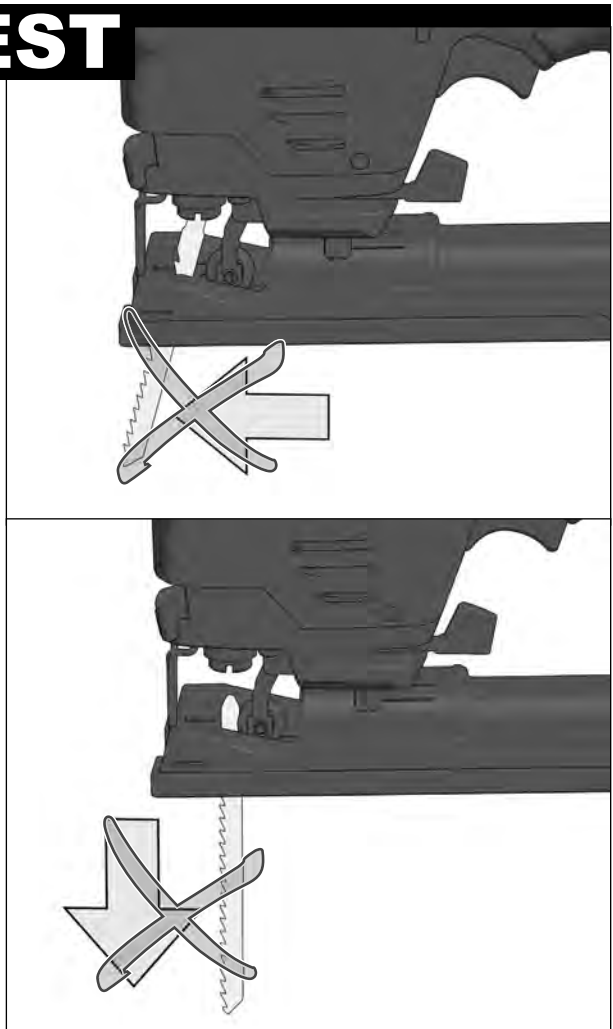


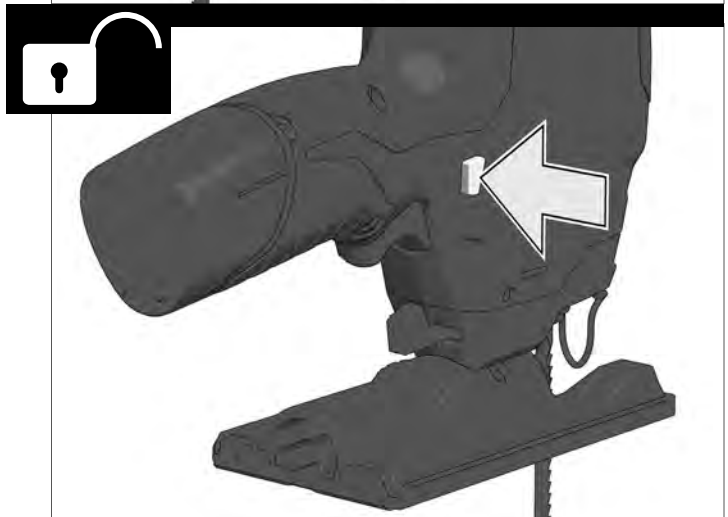
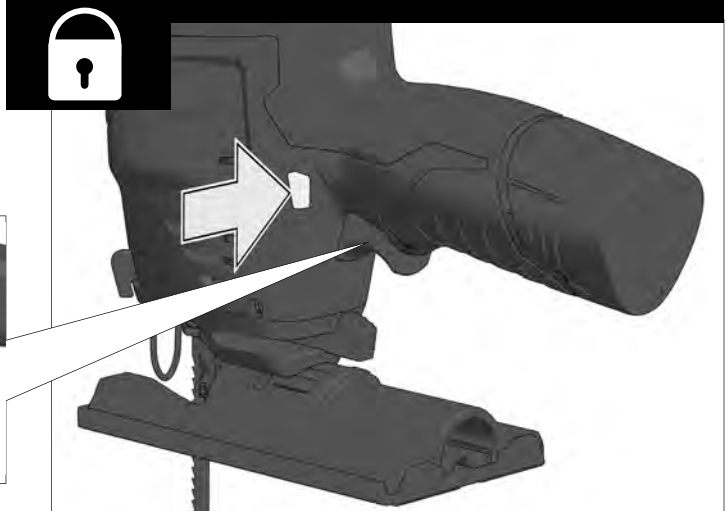
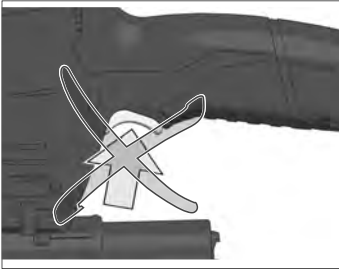
When inserting or changing the saw blade, ensure the blade is pressed into the Fixtec holder up to the stop before releasing the lever back to the locking position.





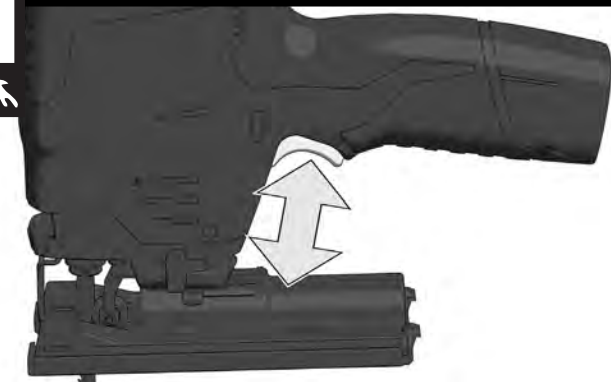
# TEST



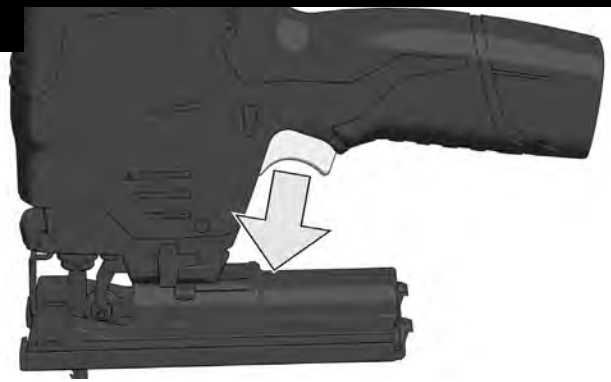


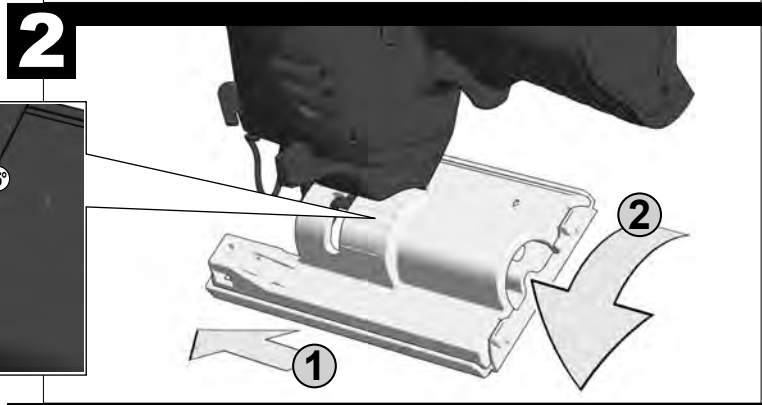
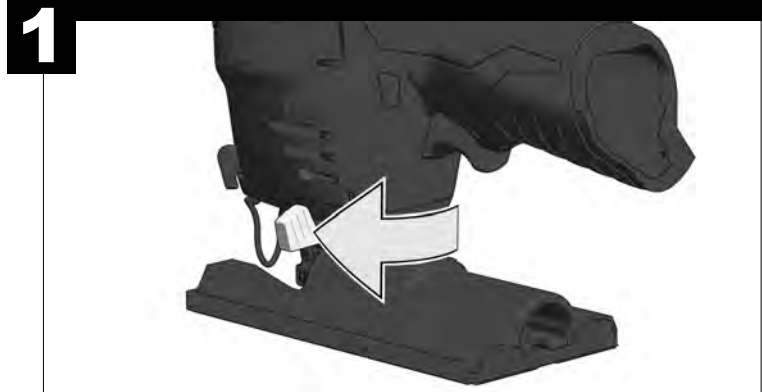


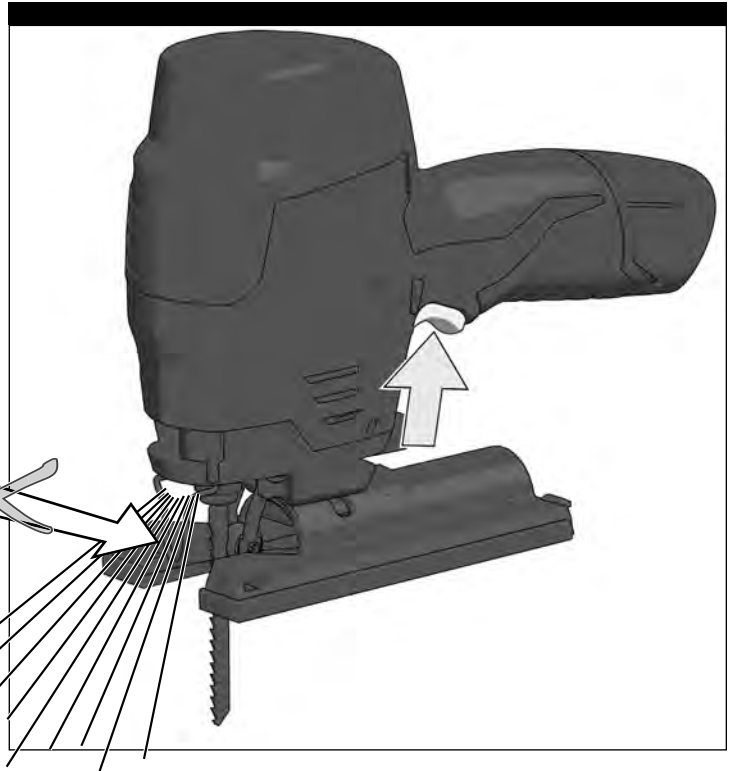
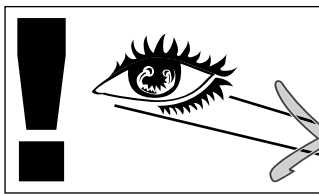
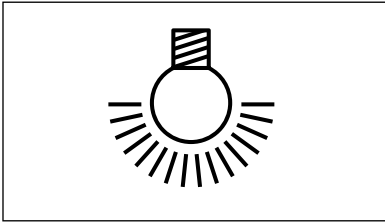
**START**

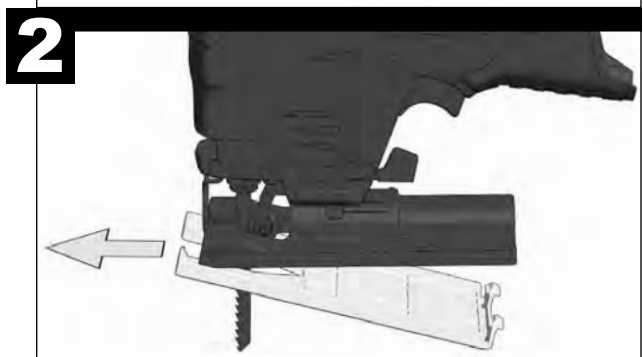
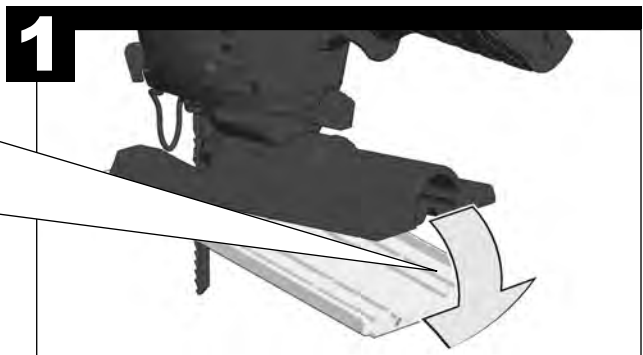
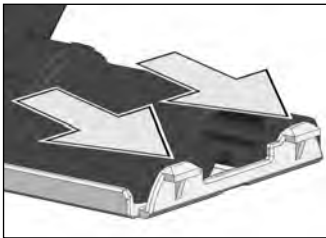
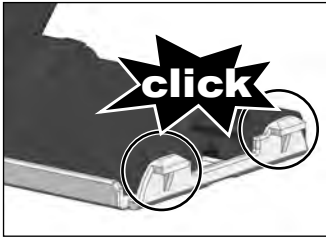
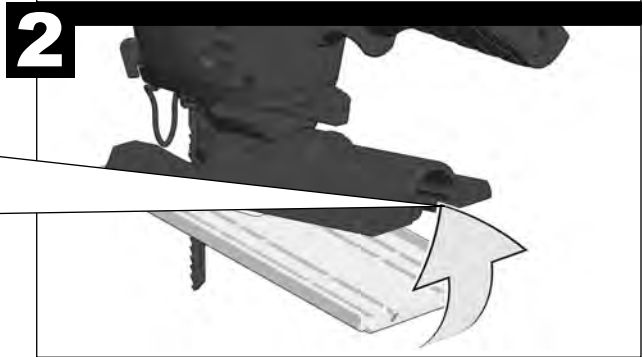
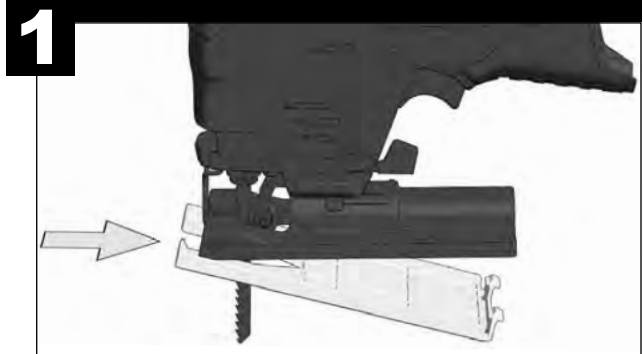


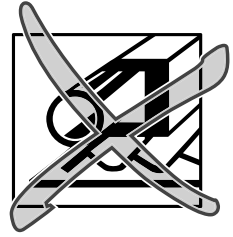
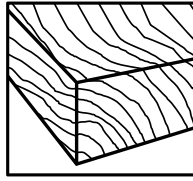
**STOP**



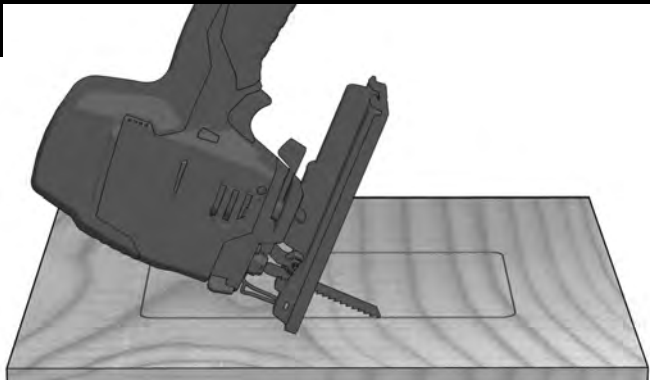




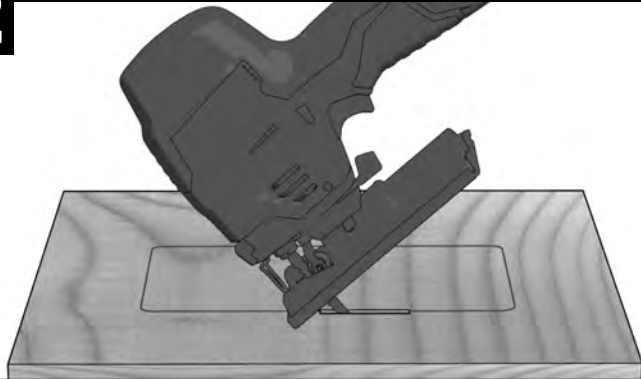




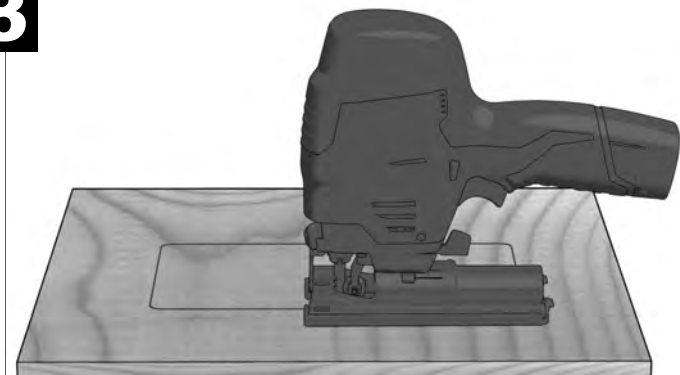
**1**



**2**



**3**



| TECHNICAL DATA | Cordless Jigsaw | M12 JS |
|----------------|-----------------|--------|
|----------------|-----------------|--------|

|  |  |                          |
|--|--|--------------------------|
| Battery voltage.....                         |  | 12 V                     |
| Stroke rate under no-load.....               |  | 0-2800 min <sup>-1</sup> |
| Lengths of stroke.....                       |  | 19 mm                    |
| Bevel cuts up to.....                        |  | 45°                      |
| Cutting depth max. in:                       |  |                          |
| Wood.....                                    |  | 40 mm                    |
| Aluminium.....                               |  | 15 mm                    |
| Weight according EPTA-Procedure 01/2003..... |  | 1,95 kg                  |

**Noise/vibration information**

Measured values determined according to EN 60 745.  
Typically, the A-weighted noise levels of the tool are:  
Sound pressure level (K = 3 dB(A)) ..... 77,5 dB (A)  
Sound power level (K = 3 dB(A))..... 88,5 dB (A)

**Wear ear and eye protection!**

Total vibration values (vector sum in the three axes) determined according to EN 60745.  
Sawing of wood  
Vibration emission value a<sub>n</sub>..... 10,1 m/s<sup>2</sup>  
Uncertainty K..... 1,5 m/s<sup>2</sup>  
Sawing of sheet metal  
Vibration emission value a<sub>n</sub>..... 7,8 m/s<sup>2</sup>  
Uncertainty K..... 1,5 m/s<sup>2</sup>

**WARNING**

The vibration emission level given in this information sheet has been measured in accordance with a standardized test given in EN 60745 and may be used to compare one tool with another. It may be used for a preliminary assessment of exposure.  
The declared vibration emission level represents the main applications of the tool. However if the tool is used for different applications, with different accessories or poorly maintained, the vibration emission may differ. This may significantly increase the exposure level over the total working period.  
An estimation of the level of exposure to vibration should also take into account the times when the tool is switched off or when it is running but not actually doing the job. This may significantly reduce the exposure level over the total working period.  
Identify additional safety measures to protect the operator from the effects of vibration such as: maintain the tool and the accessories, keep the hands warm, organisation of work patterns.

**⚠ WARNING! Read all safety warnings and all instructions, including those given in the accompanying brochure.** Failure to follow the warnings and instructions may result in electric shock, fire and/or serious injury.  
**Save all warnings and instructions for future reference.**

**SAFETY INSTRUCTIONS**

**Wear ear protection.** Exposure to noise can cause hearing loss.  
**Hold power tool by insulated gripping surfaces, when performing an operation where the cutting accessory may contact hidden wiring.** Cutting accessory contacting a live wire may make exposed metal parts of the power tool live and could give the operator an electric shock.  
Always wear ear protection when using the machine. It is also recommended to wear gloves, sturdy non slipping shoes and apron.  
Sawdust and splinters must not be removed while the machine is running.  
Always use the protective shields on the machine.  
Do not use cracked or distorted saw blades.  
Plunge cuts without pre-drilling a hole are possible with soft materials (wood, light building materials for walls). Harder materials (metals) must first be drilled with a hole corresponding to the size of the saw blade.  
The dust produced when using this tool may be harmful to health. Do not inhale the dust. Wear a suitable dust protection mask.  
Do not dispose of used battery packs in the household refuse or by burning them. Please contact your local authorities for disposal points within your area.

Do not store the battery pack together with metal objects (short circuit risk).  
No metal parts must be allowed to enter the battery section of the charger (short circuit risk).  
Use only System M12 chargers for charging System M12 battery packs. Do not use battery packs from other systems.  
Never break open battery packs and chargers. Store only in dry locations. Keep dry at all times.  
Battery acid may leak from damaged batteries under extreme load or extreme temperatures. In case of contact with battery acid wash it off immediately with soap and water. In case of eye contact rinse thoroughly for at least 10 minutes and immediately seek medical attention.

**SPECIFIED CONDITIONS OF USE**

This jig saw can cut wood, plastic and metal; it can cut straight lines, bevels, curves, and internal cut-outs.  
Do not use this product in any other way as stated for normal use.



## EC-DECLARATION OF CONFORMITY

We declare under our sole responsibility that this product is in conformity with the following standards or standardized documents, EN 60745, EN 55014-1, EN 55014-2, EN 61000-3-2, EN 61000-3-3, in accordance with the regulations 2006/42/EC, 2004/108/EC



Winnenden, 2011-07-11

Rainer Kumpf  
Manager Product Development  
Authorized to compile the technical file

## BATTERIES

New battery packs reach full loading capacity after 4 - 5 chargings and dischargings. Battery packs which have not been used for some time should be recharged before use.

Temperatures in excess of 50°C (122°F) reduce the performance of the battery pack. Avoid extended exposure to heat or sunshine (risk of overheating).

The contacts of chargers and battery packs must be kept clean.

For an optimum life-time, after use, the battery packs have to be fully charged.

To obtain the longest possible battery life remove the battery pack from the charger once it is fully charged.

For battery pack storage longer than 30 days:

Store the battery pack where the temperature is below 27°C and away from moisture

Store the battery packs in a 30% - 50% charged condition  
Every six months of storage, charge the pack as normal.

## MAINTENANCE

The ventilation slots of the machine must be kept clear at all times.

Use only Milwaukee accessories and spare parts. Should components need to be exchanged which have not been described, please contact one of our Milwaukee service agents (see our list of guarantee/service addresses).

If needed, an exploded view of the tool can be ordered.

Please state the Article No. as well as the machine type printed on the label and order the drawing at your local service agents or directly from Milwaukee Australia (Toll Free Telephone Number 1300 361 505 Email Milwaukee@ttibrands.com.au) or Milwaukee New Zealand (Toll Free Telephone Number 0800 279 624 Email Milwaukee@ttibrands.co.nz).

## SYMBOLS



Please read the instructions carefully before starting the machine.



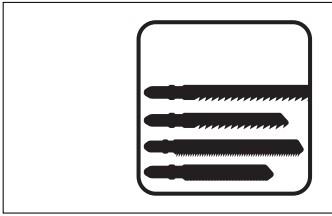
Remove the battery pack before starting any work on the machine.



Remove the battery pack before starting any maintenance work on the tool.



Do not dispose of electric tools together with household waste material! In observance of European Directive 2002/96/EC on waste electrical and electronic equipment and its implementation in accordance with national law, electric tools that have reached the end of their life must be collected separately and returned to an environmentally compatible recycling facility.



|    |     |          |    |      |      |  |       |       |       |  |      | <b>4932...<br/>Id.-No.</b> |         |
|----|-----|----------|----|------|------|--|-------|-------|-------|--|------|----------------------------|---------|
|    |     | <b>i</b> |    |      |      |  |       |       |       |  |      |                            |         |
| 75 | 3   | A        | II | < 60 |      |  |       |       |       |  | <60  |                            | 3672 38 |
| 75 | 4   | D        | II | < 60 | < 60 |  |       |       |       |  |      |                            | 3672 39 |
| 75 | 4   | C        | I  | < 60 | < 60 |  |       |       |       |  | < 60 |                            | 3672 41 |
| 75 | 2,5 | C        | I  | < 30 | < 30 |  |       |       |       |  | < 30 |                            | 3672 40 |
| 55 | 1,2 | B        | I  |      |      |  | 1,5-4 | 1,5-4 | 1,5-4 |  |      | 1,5-3                      | 3672 42 |
| 55 | 2   | B        | I  |      |      |  | 3-6   | 3-10  | 3-10  |  |      |                            | 3672 43 |

| A  | B   | C  | D   |
|--|---|--|---|
|  |   |  |   |
| set<br>geschränkt<br>biseauté<br>levigato<br>afitada | wavy<br>gewellt<br>ondulé<br>ondulato<br>ondulada | tapered, ground<br>konisch geschliffen<br>conique, biseauté<br>conico, levigato<br>cónica, afitada | set, ground<br>geschränkt, geschliffen<br>biseauté, croise<br>levigato, allicciato<br>afitada, triscada |

| I  | II   | III   |
|--|--|---|
| <b>1a</b>  | <b>QUICK</b>   |   |
| clean cutting<br>sauberer Schnitt<br>coupe propre<br>taglio pulito<br>corte limpio | fast cutting<br>schneller Schnitt<br>coupe rapide<br>taglio veloce<br>corte rápido | curve cutting<br>Kurvenschnitt<br>coupe curviligne<br>taglio curvo<br>corte de curvas |



Copyright 2011  
Milwaukee Electric Tool  
Max-Eyth-Straße 10  
D-71364 Winnenden  
Germany  
+49 (0) 7195-12-0



(08.11)  
**4931 4142 19**  
961075186-01(A)